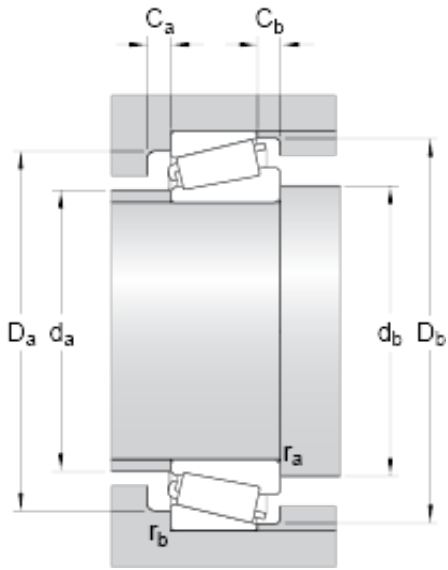




## Bearing company



30204 Bearing 2D drawings and 3D CAD models

### 20 mm x 47 mm x 14 mm skf 30204 bearing

Bearing No. 30204

Dimension series	2DB
d	20 mm
D	47 mm
T	15.25 mm
d <sub>1</sub>	33.7 mm
B	14 mm
C	12 mm
r <sub>1,2</sub> min.	1 mm
r <sub>3,4</sub> min.	1 mm
a	11.028 mm
d <sub>a</sub> max.	28 mm
d <sub>b</sub> min.	26.5 mm
D <sub>a</sub> min.	40 mm
D <sub>a</sub> max.	41.5 mm
D <sub>b</sub> min.	43 mm
C <sub>a</sub> min.	2 mm
C <sub>b</sub> min.	3 mm
r <sub>a</sub> max.	1 mm
r <sub>b</sub> max.	1 mm
Basic dynamic load rating C	34.1 kN
Basic static load rating C <sub>0</sub>	28 kN
Fatigue load limit P <sub>u</sub>	3 kN
Reference speed	12000 r/min
Limiting speed	15000 r/min
Calculation factor e	0.35
Calculation factor Y	1.7



## Bearing company

Calculation factor $Y_0$	0.9
Mass bearing	0.12 kg