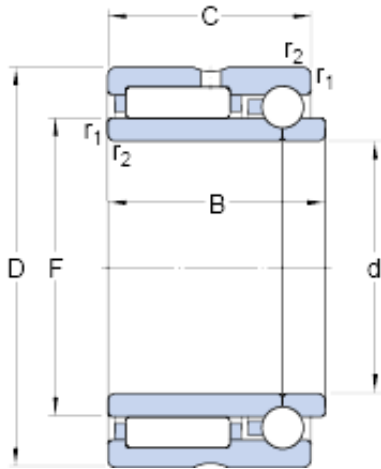




Bearing company



15 mm x 28 mm x 20 mm skf nkib 5902 bearing

Bearing No. nkib 5902

nkib 5902 Bearing 2D drawings and 3D CAD models

Size	28x15x20 mm
Bore Diameter	28 mm
Outer Diameter	15 mm
Width	20 mm
d	15 mm
D	28 mm
B	20 mm
C	18 mm
F	20 mm
$r_{1,2}$ - min.	0.3 mm
d_a - min.	17 mm
D_a - max.	26 mm
r_a - max.	0.3 mm
Basic dynamic load rating, radial direction - C	11.2 kN
Basic static load rating, radial direction - C_0	15.3 kN
Basic dynamic load rating, axial direction - C	2.3 kN
Basic static load rating, axial direction - C_0	2.4 kN
Fatigue load limit, radial direction - P_u	1.8 kN
Fatigue load limit, axial direction - P_u	0.099 kN
Reference speed	19000 r/min
Limiting speed	22000 r/min



Bearing company

Category	Roller Bearings
Inventory	0.0
Manufacturer Name	SKF
Minimum Buy Quantity	N/A
Weight / Kilogram	0.058
EAN	7316577015532
Product Group	B04144
bore diameter:	15 mm
closure type:	Open
outside diameter:	28 mm
fillet radius:	0.3 mm
overall width:	20 mm
lubrication type:	Grease
bearing type:	Needle Roller/Angular Contact Ball
cage material:	Steel
operating temperature range:	Max 250 ° F
series:	NKIB
radial dynamic load capacity:	11.2 kN
manufacturer product page:	Click here
radial static load capacity:	15.3 kN
manufacturer upc number:	7316577015532
bearing material:	Steel
weight:	0.11 lb
maximum rpm:	22000 rpm
r _{1,2} min.	0.3 mm
d _a min.	17 mm
D _a max.	26 mm
r _a max.	0.3 mm
Basic dynamic load rating, radial direction C	11.2 kN



Bearing company

Basic static load rating, radial direction C_0	15.3 kN
Basic dynamic load rating, axial direction C	2.27 kN
Basic static load rating, axial direction C_0	2.37 kN
Fatigue load limit, radial direction P_u	1.83 kN
Fatigue load limit, axial direction P_u	0.099 kN
Mass bearing	0.052 kg