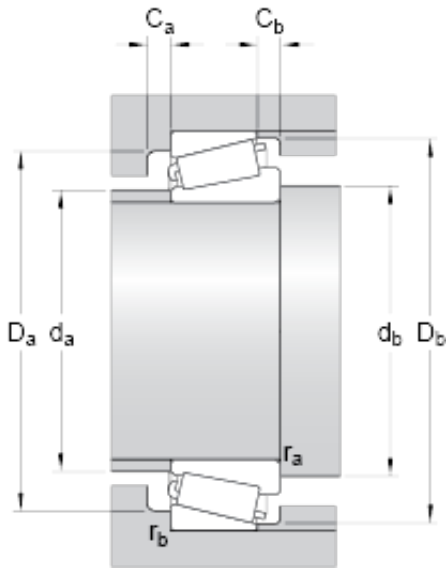




## Bearing company



30308 Bearing 2D drawings and 3D CAD models

40 mm x 90 mm x 23 mm skf 30308 bearing

Bearing No. 30308

Dimension series	2FB
d	40 mm
D	90 mm
T	25.25 mm
d <sub>1</sub>	62.55 mm
B	23 mm
C	20 mm
r <sub>1,2</sub> min.	2 mm
r <sub>3,4</sub> min.	1.5 mm
a	19.031 mm
d <sub>a</sub> max.	53 mm
d <sub>b</sub> min.	49.5 mm
D <sub>a</sub> min.	77 mm
D <sub>a</sub> max.	82 mm
D <sub>b</sub> min.	82 mm
C <sub>a</sub> min.	3 mm
C <sub>b</sub> min.	5 mm
r <sub>a</sub> max.	2 mm
r <sub>b</sub> max.	1.5 mm
Basic dynamic load rating C	106 kN
Basic static load rating C <sub>0</sub>	95 kN
Fatigue load limit P <sub>u</sub>	10.8 kN
Reference speed	6300 r/min
Limiting speed	8000 r/min
Calculation factor e	0.35
Calculation factor Y	1.7



## Bearing company

Calculation factor $Y_0$	0.9
Mass bearing	0.73 kg