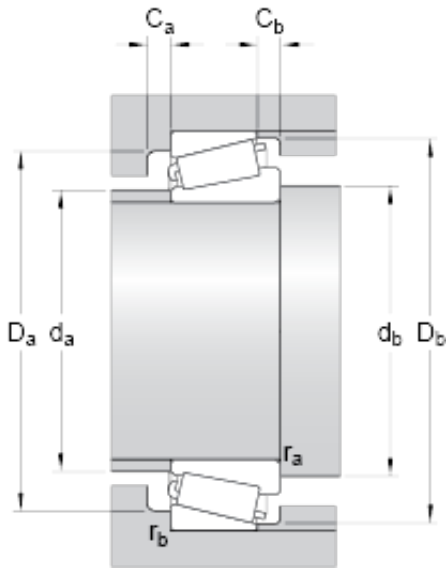




Bearing company



30211 Bearing 2D drawings and 3D CAD models

55 mm x 100 mm x 21 mm skf 30211 bearing

Bearing No. 30211

Dimension series	3DB
d	55 mm
D	100 mm
T	22.75 mm
d ₁	74.7 mm
B	21 mm
C	18 mm
r _{1,2} min.	2 mm
r _{3,4} min.	1.5 mm
a	20.251 mm
d _a max.	64 mm
d _b min.	65 mm
D _a min.	88 mm
D _a max.	92 mm
D _b min.	94 mm
C _a min.	4 mm
C _b min.	4.5 mm
r _a max.	2 mm
r _b max.	1.5 mm
Basic dynamic load rating C	111 kN
Basic static load rating C ₀	106 kN
Fatigue load limit P _u	12 kN
Reference speed	5300 r/min
Limiting speed	6700 r/min
Calculation factor e	0.4
Calculation factor Y	1.5



Bearing company

Calculation factor Y_0	0.8
Mass bearing	0.7 kg