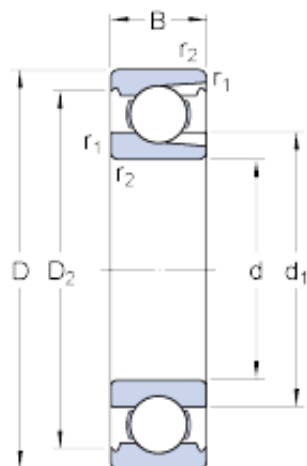




## Bearing company



60 mm x 110 mm x 22 mm skf 212 bearing

Bearing No. 212

Size	110x60x22 mm
Bore Diameter	110 mm
Outer Diameter	60 mm
Width	22 mm
d	60 mm
D	110 mm
B	22 mm
d <sub>1</sub>	75.5 mm
D <sub>2</sub>	98 mm
r <sub>1,2</sub> - min.	1.5 mm
d <sub>a</sub> - min.	69 mm
D <sub>a</sub> - max.	101 mm
r <sub>a</sub> - max.	1.5 mm
Basic dynamic load rating - C	56.1 kN
Basic static load rating - C <sub>0</sub>	50 kN
Fatigue load limit - P <sub>u</sub>	2.1 kN
Reference speed	11000 r/min
Limiting speed	6700 r/min
Calculation factor - k <sub>r</sub>	0.04
Category	Single Row Ball Bearings
Inventory	0.0
Manufacturer Name	SKF
Minimum Buy Quantity	N/A
Weight / Kilogram	0.8
EAN	7316576679810

212 Bearing 2D drawings and 3D CAD models



## Bearing company

Product Group	B00308
Enclosure	Open
Precision Class	ABEC 1   ISO P0
Maximum Capacity / Filling Slot	Yes
Rolling Element	Ball Bearing
Snap Ring	No
Internal Special Features	No
Cage Material	Steel
Internal Clearance	C0-Medium
Inch - Metric	Metric
Long Description	60MM Bore; 110MM Outside Diameter; 22MM Outer Race Diameter; Open; Ball Bearing; ABEC 1   ISO P0; Yes Filling Slot; No Snap Ring; No Internal Special Features
Category	Single Row Ball Bearing
UNSPSC	31171504
Harmonized Tariff Code	8482.10.50.68
Noun	Bearing
Keyword String	Ball
Manufacturer URL	<a href="http://www.skf.com">http://www.skf.com</a>
Manufacturer Item Number	212
Weight / LBS	1.76
Bore	2.362 Inch   60 Millimeter
Outside Diameter	4.331 Inch   110 Millimeter
Outer Race Width	0.866 Inch   22 Millimeter
bore diameter:	60 mm
static load capacity:	50 kN
outside diameter:	110 mm
precision rating:	ABEC 3 (ISO Class 6)
overall width:	22 mm



## Bearing company

finish/coating:	Uncoated
bore type:	Round
cage material:	Steel
closure type:	Open
outer ring width:	22 mm
row type & fill slot:	Single Row Filling Slot
fillet radius:	1.5 mm
snap ring included:	Without Snap Ring
maximum rpm:	6700 RPM
internal clearance:	C0
series:	21
dynamic load capacity:	56.1 kN
thrust application warning:	This product can not be used in Thrust Applications
$d_1$	75.5 mm
$D_2$	98 mm
$r_{1,2}$ min.	1.5 mm
$d_a$ min.	69 mm
$D_a$ max.	101 mm
$r_a$ max.	1.5 mm
Basic dynamic load rating C	56.1 kN
Basic static load rating $C_0$	50 kN
Fatigue load limit $P_u$	2.12 kN
Calculation factor $k_r$	0.04
Mass bearing	0.85 kg