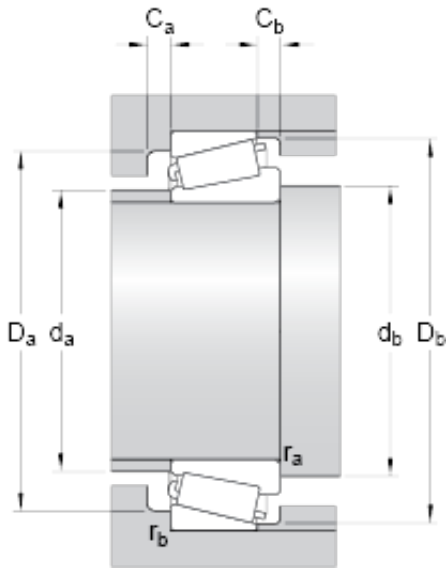




Bearing company



33109 Bearing 2D drawings and 3D CAD models

45 mm x 80 mm x 26 mm skf 33109 bearing

Bearing No. 33109

Dimension series	3CE
d	45 mm
D	80 mm
T	26 mm
d ₁	63.05 mm
B	26 mm
C	20.5 mm
r _{1,2} min.	1.5 mm
r _{3,4} min.	1.5 mm
a	18.991 mm
d _a max.	52 mm
d _b min.	53.5 mm
D _a min.	69 mm
D _a max.	72.5 mm
D _b min.	77 mm
C _a min.	4 mm
C _b min.	5.5 mm
r _a max.	1.5 mm
r _b max.	1.5 mm
Basic dynamic load rating C	104 kN
Basic static load rating C ₀	114 kN
Fatigue load limit P _u	12.9 kN
Reference speed	6700 r/min
Limiting speed	8000 r/min
Calculation factor e	0.37
Calculation factor Y	1.6



Bearing company

Calculation factor Y_0	0.9
Mass bearing	0.55 kg