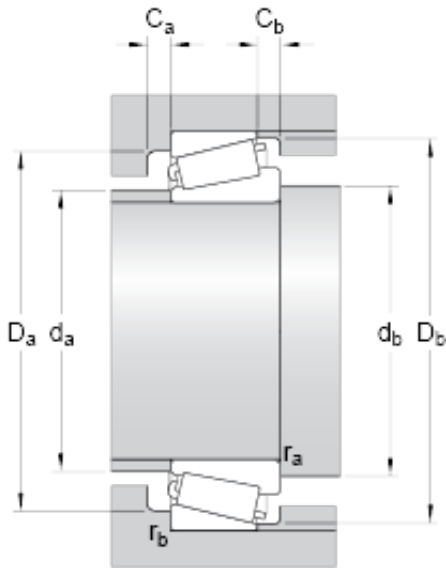




## Bearing company



31308 Bearing 2D drawings and 3D CAD models

### 40 mm x 90 mm x 23 mm skf 31308 bearing

Bearing No. 31308

Dimension series	7FB
d	40 mm
D	90 mm
T	25.25 mm
d <sub>1</sub>	67.15 mm
B	23 mm
C	17 mm
r <sub>1,2</sub> min.	2 mm
r <sub>3,4</sub> min.	1.5 mm
a	28.252 mm
d <sub>a</sub> max.	51 mm
d <sub>b</sub> min.	50 mm
D <sub>a</sub> min.	71 mm
D <sub>a</sub> max.	82.5 mm
D <sub>b</sub> min.	86 mm
C <sub>a</sub> min.	3 mm
C <sub>b</sub> min.	8 mm
r <sub>a</sub> max.	2 mm
r <sub>b</sub> max.	1.5 mm
Basic dynamic load rating C	91.1 kN
Basic static load rating C <sub>0</sub>	81.5 kN
Fatigue load limit P <sub>u</sub>	9.5 kN
Reference speed	5600 r/min
Limiting speed	7500 r/min
Calculation factor e	0.83
Calculation factor Y	0.72



## Bearing company

Calculation factor $Y_0$	0.4
Mass bearing	0.72 kg