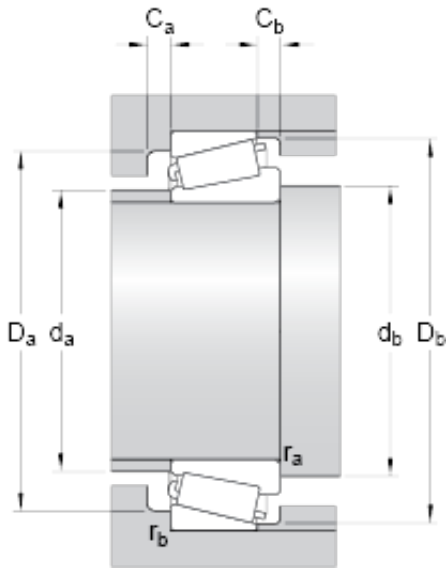




Bearing company



32215 Bearing 2D drawings and 3D CAD models

75 mm x 130 mm x 31 mm skf 32215 bearing

Bearing No. 32215

Dimension series	4DC
d	75 mm
D	130 mm
T	33.25 mm
d ₁	100.65 mm
B	31 mm
C	27 mm
r _{1,2} min.	2 mm
r _{3,4} min.	1.5 mm
a	29.265 mm
d _a max.	85 mm
d _b min.	85.5 mm
D _a min.	114 mm
D _a max.	121.5 mm
D _b min.	125 mm
C _a min.	4 mm
C _b min.	6 mm
r _a max.	2 mm
r _b max.	1.5 mm
Basic dynamic load rating C	197 kN
Basic static load rating C ₀	212 kN
Fatigue load limit P _u	24.5 kN
Reference speed	4000 r/min
Limiting speed	5000 r/min
Calculation factor e	0.43
Calculation factor Y	1.4



Bearing company

Calculation factor Y_0	0.8
Mass bearing	1.67 kg