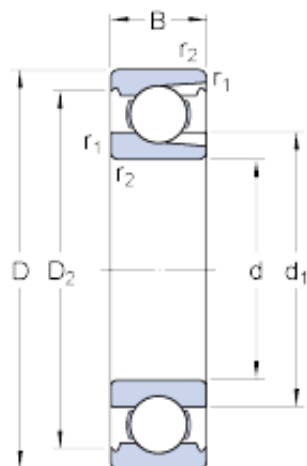




Bearing company



65 mm x 120 mm x 23 mm skf 213 bearing

Bearing No. 213

Size	120x65x23 mm
Bore Diameter	120 mm
Outer Diameter	65 mm
Width	23 mm
d	65 mm
D	120 mm
B	23 mm
d ₁	83.3 mm
D ₂	105.8 mm
r _{1,2} - min.	1.5 mm
d _a - min.	74 mm
D _a - max.	111 mm
r _a - max.	1.5 mm
Basic dynamic load rating - C	60.5 kN
Basic static load rating - C ₀	58.5 kN
Fatigue load limit - P _u	2.5 kN
Reference speed	10000 r/min
Limiting speed	6000 r/min
Calculation factor - k _r	0.04
Category	Single Row Ball Bearings
Inventory	3.0
Manufacturer Name	SKF
Minimum Buy Quantity	N/A
Weight / Kilogram	1.08
EAN	7316576679889

213 Bearing 2D drawings and 3D CAD models



Bearing company

Product Group	B00308
Enclosure	Open
Precision Class	ABEC 1 ISO P0
Maximum Capacity / Filling Slot	Yes
Rolling Element	Ball Bearing
Snap Ring	No
Internal Special Features	No
Cage Material	Steel
Internal Clearance	C0-Medium
Inch - Metric	Metric
Long Description	65MM Bore; 120MM Outside Diameter; 23MM Outer Race Diameter; Open; Ball Bearing; ABEC 1 ISO P0; Yes Filling Slot; No Snap Ring; No Internal Special Features
Category	Single Row Ball Bearing
UNSPSC	31171504
Harmonized Tariff Code	8482.10.50.68
Noun	Bearing
Keyword String	Ball
Manufacturer URL	http://www.skf.com
Manufacturer Item Number	213
Weight / LBS	2.38
Outside Diameter	4.724 Inch 120 Millimeter
Outer Race Width	0.906 Inch 23 Millimeter
Bore	2.559 Inch 65 Millimeter
bore diameter:	65 mm
static load capacity:	58.5 kN
outside diameter:	120 mm
precision rating:	ABEC 1 (ISO Class Normal)
overall width:	23 mm



Bearing company

finish/coating:	Uncoated
bore type:	Round
cage material:	Steel
closure type:	Open
outer ring width:	23 mm
row type & fill slot:	Single Row Filling Slot
fillet radius:	1.5 mm
snap ring included:	Without Snap Ring
maximum rpm:	6000 RPM
internal clearance:	C0
series:	21
dynamic load capacity:	60.5 kN
thrust application warning:	This product can not be used in Thrust Applications
d_1	83.3 mm
D_2	105.8 mm
$r_{1,2}$ min.	1.5 mm
d_a min.	74 mm
D_a max.	111 mm
r_a max.	1.5 mm
Basic dynamic load rating C	60.5 kN
Basic static load rating C_0	58.5 kN
Fatigue load limit P_u	2.5 kN
Calculation factor k_r	0.04
Mass bearing	1.05 kg