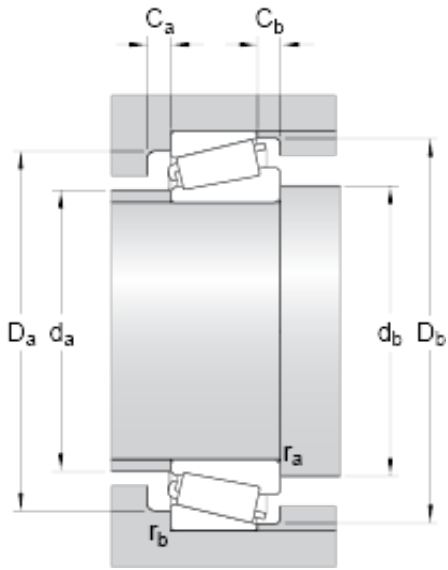




Bearing company



31312 Bearing 2D drawings and 3D CAD models

60 mm x 130 mm x 31 mm skf 31312 bearing

Bearing No. 31312

Dimension series	4CC
d	60 mm
D	130 mm
T	33.5 mm
d ₁	96 mm
B	31 mm
C	22 mm
r _{1,2} min.	3 mm
r _{3,4} min.	2.5 mm
a	39.336 mm
d _a max.	74 mm
d _b min.	72.5 mm
D _a min.	103 mm
D _a max.	119.5 mm
D _b min.	123 mm
C _a min.	5 mm
C _b min.	11.5 mm
r _a max.	3 mm
r _b max.	2.5 mm
Basic dynamic load rating C	177 kN
Basic static load rating C ₀	166 kN
Fatigue load limit P _u	20.4 kN
Reference speed	3800 r/min
Limiting speed	5300 r/min
Calculation factor e	0.83
Calculation factor Y	0.72



Bearing company

Calculation factor Y_0	0.4
Mass bearing	1.93 kg