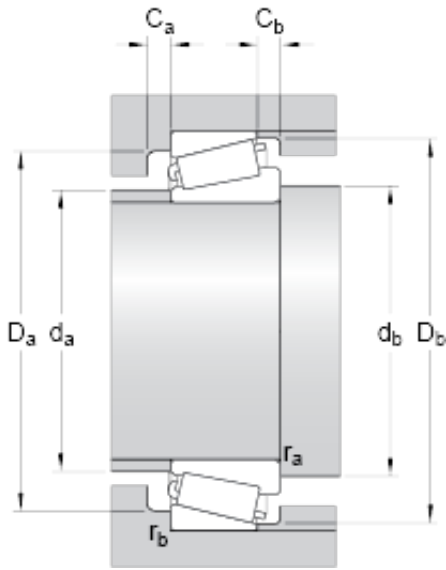




Bearing company



100 mm x 180 mm x 34 mm skf 30220 bearing

Bearing No. 30220

30220 Bearing 2D drawings and 3D CAD models

Dimension series	3FB
d	100 mm
D	180 mm
T	37 mm
d ₁	134.48 mm
B	34 mm
C	29 mm
r _{1,2} min.	3 mm
r _{3,4} min.	2.5 mm
a	35.399 mm
d _a max.	116 mm
d _b min.	113.5 mm
D _a min.	157 mm
D _a max.	168.5 mm
D _b min.	168 mm
C _a min.	5 mm
C _b min.	8 mm
r _a max.	3 mm
r _b max.	2.5 mm
Basic dynamic load rating C	304 kN
Basic static load rating C ₀	320 kN
Fatigue load limit P _u	36 kN
Reference speed	3000 r/min
Limiting speed	3600 r/min
Calculation factor e	0.43
Calculation factor Y	1.4



Bearing company

Calculation factor Y_0	0.8
Mass bearing	3.63 kg