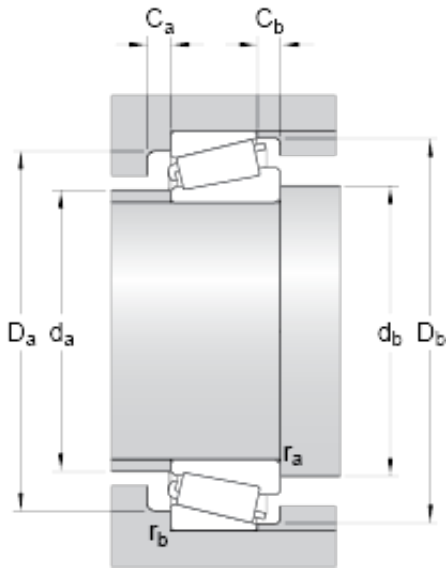




Bearing company



32314 Bearing 2D drawings and 3D CAD models

70 mm x 150 mm x 51 mm skf 32314 bearing

Bearing No. 32314

Dimension series	2GD
d	70 mm
D	150 mm
T	54 mm
d ₁	106.15 mm
B	51 mm
C	42 mm
r _{1,2} min.	3 mm
r _{3,4} min.	2.5 mm
a	35.55 mm
d _a max.	87 mm
d _b min.	83 mm
D _a min.	125 mm
D _a max.	139 mm
D _b min.	140 mm
C _a min.	6 mm
C _b min.	12 mm
r _a max.	3 mm
r _b max.	2.5 mm
Basic dynamic load rating C	363 kN
Basic static load rating C ₀	380 kN
Fatigue load limit P _u	45 kN
Reference speed	3400 r/min
Limiting speed	4500 r/min
Calculation factor e	0.35
Calculation factor Y	1.7



Bearing company

Calculation factor Y_0	0.9
Mass bearing	4.28 kg