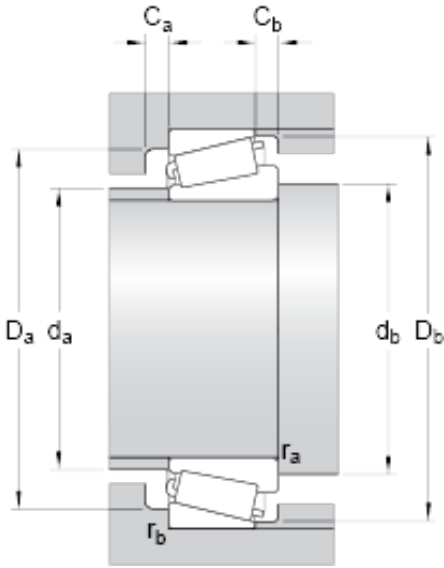




Bearing company

65 mm x 140 mm x 33 mm skf 30313 bearing

Bearing No. 30313



30313 Bearing 2D drawings and 3D CAD models

Dimension series	2GB
d	65 mm
D	140 mm
T	36 mm
d ₁	98.75 mm
B	33 mm
C	28 mm
r _{1,2} min.	3 mm
r _{3,4} min.	2.5 mm
a	27.732 mm
d _a max.	84 mm
d _b min.	78 mm
D _a min.	122 mm
D _a max.	129 mm
D _b min.	130 mm
C _a min.	5 mm
C _b min.	8 mm
r _a max.	3 mm
r _b max.	2.5 mm
Basic dynamic load rating C	240 kN
Basic static load rating C ₀	228 kN
Fatigue load limit P _u	27.5 kN
Reference speed	4000 r/min
Limiting speed	4800 r/min
Calculation factor e	0.35
Calculation factor Y	1.7



Bearing company

Calculation factor Y_0	0.9
Mass bearing	2.42 kg