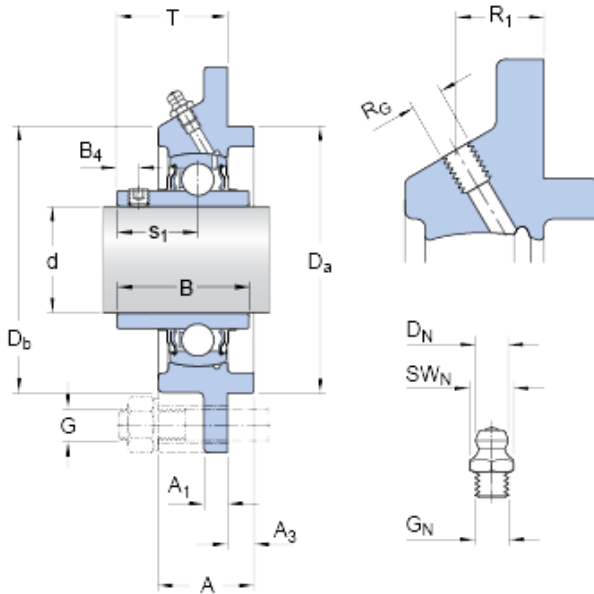




## Bearing company



### skf fyc 50 tf bearing

Bearing No. fyc 50 tf

Size	50x39.5x14 mm
Bore Diameter	50 mm
Outer Diameter	39,5 mm
Width	14 mm
d	50 mm
A	39.5 mm
A <sub>1</sub>	14 mm
A <sub>3</sub>	12 mm
B	51.6 mm
B <sub>4</sub>	9 mm
D <sub>a</sub> - h8	110 mm
D <sub>b</sub>	113.1 mm
J	138 mm
J <sub>1</sub>	97.6 mm
L	165 mm
H	16 mm
s <sub>1</sub>	32.6 mm
T	42.6 mm
D <sub>N</sub>	6.5 mm
SW <sub>N</sub>	7 mm
G <sub>N</sub> - 1/4-28 SAE-LT	1/428 SAELT
R <sub>G</sub> - 1/4-28 UNF	1/428 UNF
R <sub>1</sub>	22 mm
Basic dynamic load rating - C	35.1 kN

fyc 50 tf Bearing 2D drawings and 3D CAD models



## Bearing company

Basic static load rating - $C_0$	23.2 kN
Fatigue load limit - $P_u$	0.98 kN
Limiting speed with shaft tolerance h6	4000 r/min
Weight	2.85 kg
Thread - $G_2$	M10x1
Hexagonal key size for grub screw - H	5 mm
Category	Mounted Units & Inserts
Inventory	2.0
Manufacturer Name	SKF
Minimum Buy Quantity	N/A
Weight / Kilogram	2.759
EAN	7316570895216
Product Group	M06110
Housing material	Cast iron
$A_1$	14 mm
$A_3$	12 mm
$B_4$	9 mm
$D_a$	110 mm
$D_b$	113.1 mm
$J_1$	97.6 mm
N	16 mm
$s_1$	32.6 mm
$R_G$	1/4-28 UNF
$R_1$	22 mm
$D_N$	6.5 mm
$SW_N$	7 mm
$G_N$	1/4-28 SAE-LT
Basic dynamic load rating C	35.1 kN
Basic static load rating $C_0$	23.2 kN
Fatigue load limit $P_u$	0.98 kN



## Bearing company

Mass unit	2.85 kg
Thread grub screw G <sub>2</sub>	M10x1
Hexagonal key size for grub screw N	5 mm
Recommended tightening torque for grub screw	16.5 N · m
Recommended diameter for attachment bolts, mm G	14 mm
Recommended diameter for attachment bolts, inch G	0.5625 in
Bearing	YAR 210-2F
Housing	FYC 510